

1200(W) x 2100(H) x 650(D)

W1200B

1.2 Metre Wall Series

Pre-fitted Appliances

- ✓ Robinhood 78L Fridge/Freezer
- ✓ Panasonic 20L 5 Level Microwave
- ✓ Robinhood Ceramic 2 Zone Cooktop
- ✓ Robinhood Slide out Rangehood
- ✓ Stainless Steel Sink & Goose Neck Tap
- ✓ Stainless Steel Splash Back
- ✓ LED strip Downlight with Diffuser



Compact Kitchens for Small Spaces | 0800 48 44 48

W1200B Specifications

Appliances are pre-wired and plumbed

- 78L fridge freezer installed. 20L Microwave pre-fitted and repackaged for transport. Cooktop, Rangehood, Splashback and Lighting installed.
- Cooktop requires connection to isolation switch on site by a registered electrician.
- 4 x Double power outlets, Isolation switch, 3 x 20Amp circuits and junction box all pre-wired.
- Refer to electrical diagram and discuss your general power requirements with your registered electrician.
- Sink and mixer tap with waste and P Trap installed.
- Refer to the plumbing diagram and discuss your incoming water and waste water requirements with your registered plumber.

Fully or partially assembled

- Can be delivered fully assembled to a ground floor location, providing you have the right access. Can also be delivered partially assembled with instructions. Check access to final location.
- Assembly on site will typically require two people, screwdrivers and driver bit (no.2 pozi drive & no.2 square drive, supplied). A screwgun is recommended. Neutral cure silicone to seal the benchtop and splash back internal corners.

Cabinet sizes and weights

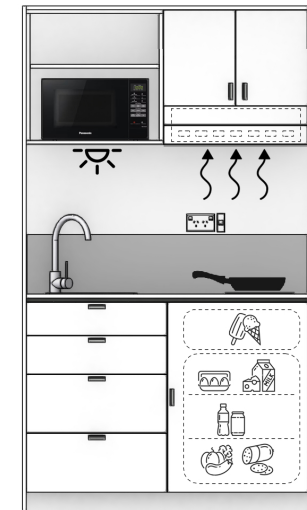
Excluding appliances

- Base unit: 1200W x 900H x 600D, 87kg
- Top unit: 1200W x 600H x 600D, 37kg
- Side panels: 2100H x 650D, 28kg
- Powerboard: 1200W x 1200H, 15kg
- Total weight: 213kg inc appliances**

**KITCHEN
ETTE NZ**

Hideaway option available

Bifold doors are installed on the top section of the kitchenette

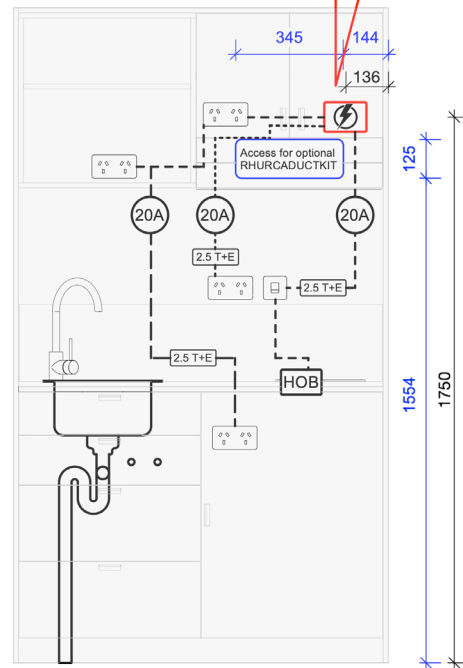


Plumbing & Electrical Diagrams

W1200B Electrical

W1200B

Kitchenettes are fitted with our unique integrated power board. All outlets are pre-wired and come with an electrical declaration of conformity. Two 20A circuits are installed in all units plus a third 20A circuit with isolation switch for models with a cooktop. Discuss your general power requirements with a registered Electrician, they will need to issue a certificate of compliance for the incoming power connection.



Plumbing

